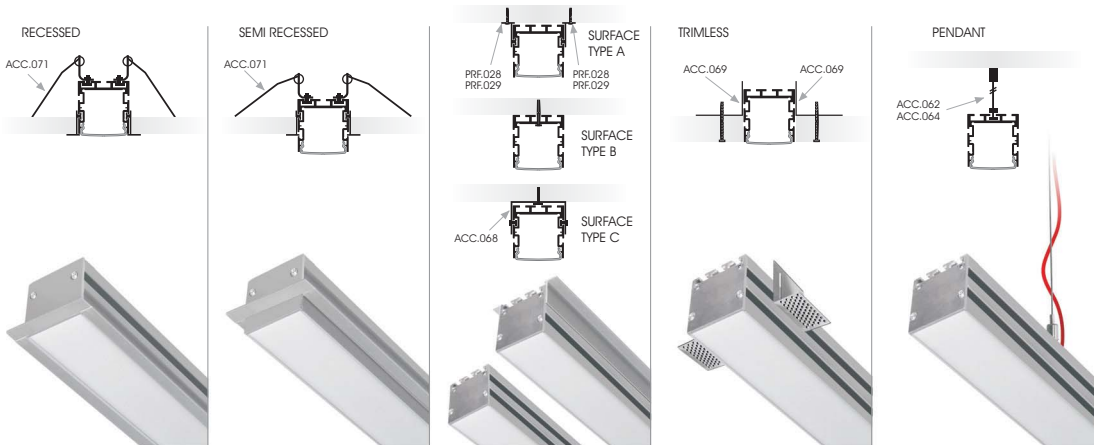
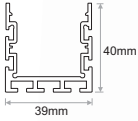


- TETRA aluminium profile system ideal for linear LED lighting applications.
- Accessories for surface, semi recessed, recessed, trimless and pendant applications.
- Variety of accessories for different corner and line extensions.
- Special design and construction to meet the most demanding lighting designs.
- Available also in black, white or different RAL colours upon request.



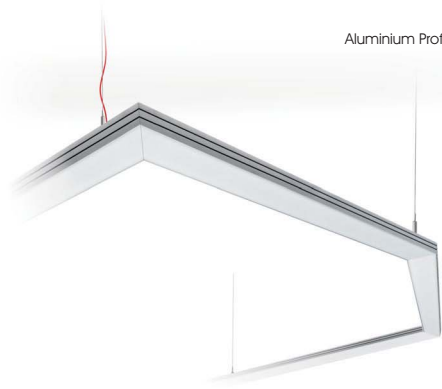



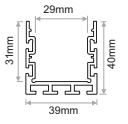

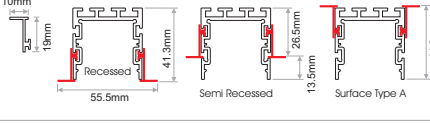

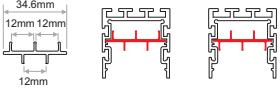



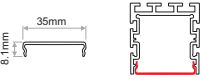

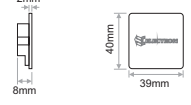

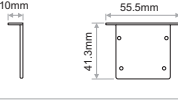

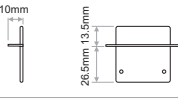

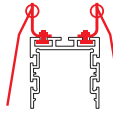

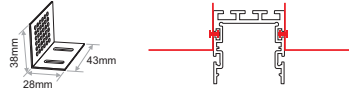

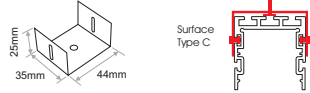

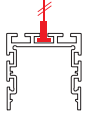

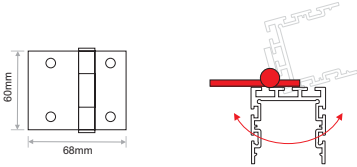

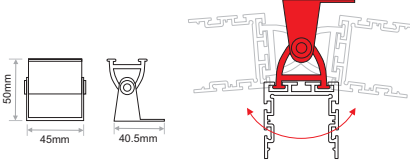

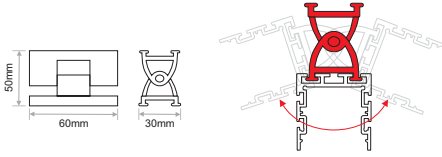

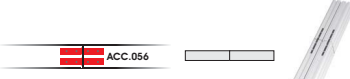

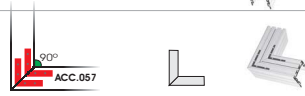

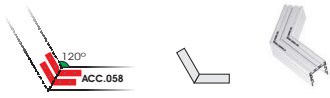

Image	Code	Description	Length	Design-Detail
	PRF.026	TETRA alum.prof. / Anodized	2m	
	PRF.028	ANGLE alum.prof. / Anodized	2m	
	PRF.030	DUAL BAND SLIDING BASE	2m	
	ELA.016	ALUMINIUM SLIDING BASE (Thickness 2mm)	2m	
	COV.008 COV.009 COV.020	PMMA SATIN COVER PMMA CLEAR COVER PMMA MICROPRISMATIC COVER	2m 2m 2m	
	CAP.092	END CAP		
	CAP.051	RECESSED END CAP		
	CAP.052	SEMI RECESSED END CAP		
	ACC.071	RETAINING SPRING		

Image	Code	Description	Design-Detail
	ACC.069	PERFORATED HOLDER FOR PLASTERBOARD	
	ACC.068	CEILING SURFACE HOLDER	
	ACC.062 ACC.064	CEILING SUSPENSION INSTALLATION 150cm CEILING SUSPENSION INSTALLATION 300cm	
	ACC.070	HINGE	
	ACC.083	ECO BRACKET	
	ACC.074	180 DEGREE BRACKET	
	ACC.056	EXTENSION LINE	
	ACC.057	90° CORNER EXTENSION	
	ACC.058	60° CORNER EXTENSION	
	ACC.059	45° CORNER EXTENSION	